



S1000D Issue 4.2 Summary

Paul Haslam

Principal S1000D & S-Series ILS Specifications Expert

O'Neil & Associates Inc

Office: (937) 865-0846 ext. 3633

E-mail: phaslam@oneil.com



Packaging

- Business Rules
- Common Information Repository
- Graphics
- Illustrated Parts Data
- Layout
- Learning
- Maintenance Task Data
- References
- Security
- Miscellaneous

Business Rules

- 2009-112IGBRTT: BR Relationships
- 2009-122IGBRTT: BR-Publications
- 2009-123IGBRTT: BR Severity levels
- 2009-133IGBRTT: BR-Markup
- 2009-134IGBRTT: BR Identification
- 2009-156IGBRTT: BREX allowable notations
- 2013-001IGBRTT: Include zoning and access in Chap 2.5.1
- 2013-051EPWG: Correct Default BREX ICN rule
- 2013-071US: Default BREX Bug issue 4.x
- 2014-001SE: Deficiency in description of BREX content related rules
- 2014-007IGBRTT: Amendments to Bike data set for BR support
- 2014-008IGBRTT: BRDP clean up
- 2014-009IGBRTT: Add unique IDs in default BREX & references to default BREX rules in Chap text
- 2016-006NN: Reduction of BRDPs on configurable attributes



Business Rules Document

- Business Rules CPFs
 - CPF 2009-123IGBRTT: BR severity levels
 - CPF 2009-133IGBRTT: BR - markup
 - CPF 2009-134IGBRTT: BR identification

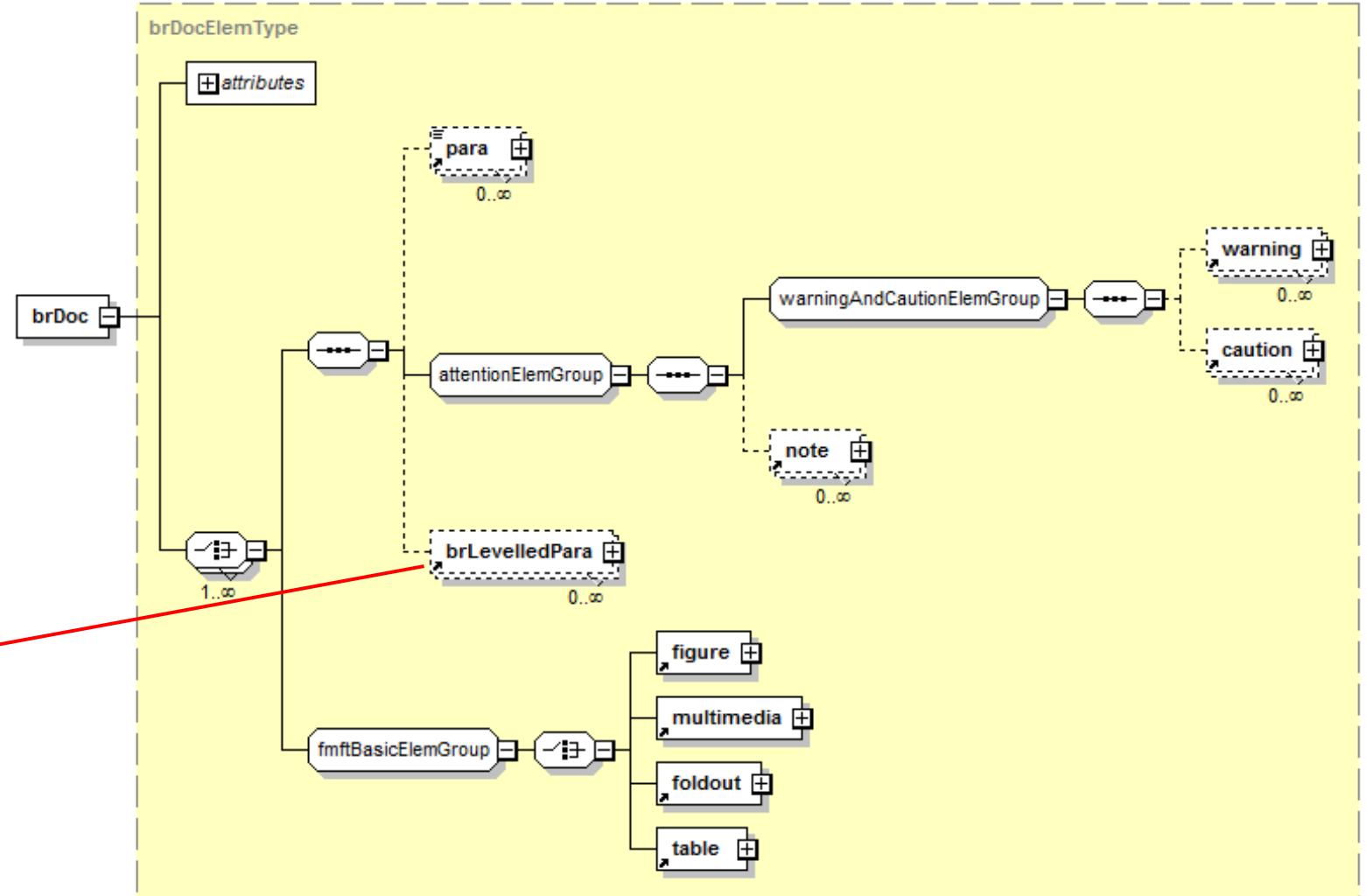
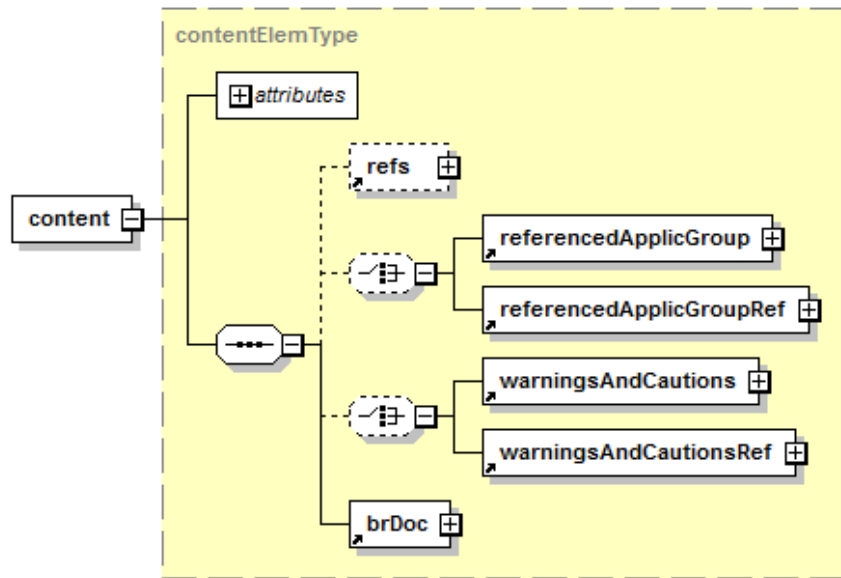
- New Data Module Schema



Business Rules Document

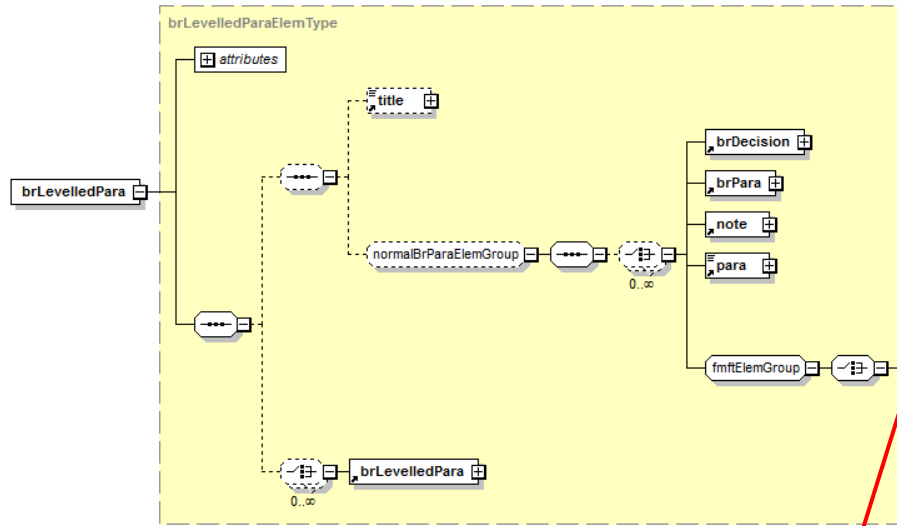
- Business Rules Document (brDoc)
 - Used for the generating a Business Rules Document data module to collect business rule information on all required context and non-context Business Rule Decisions Points (BRDP)
 - Contains:
 - A BR paragraph structure that captures BRDP and decisions
 - Data module Coding for projects using:
 - A single business rules documents data module
 - Multiple business rules documents data modules at the Product level
 - Multiple business rules documents data modules at the system level
 - An indicator of the severity of not implementing the business rule decision with its definition
 - An indicator that shows whether the business rule decision must or must not be captured in a BREX data module
 - An indicator that shows that a business rule decision is pending
 - A construct for recording business rule explanations

brDoc.xsd - Based on the S1000D Descriptive Schema

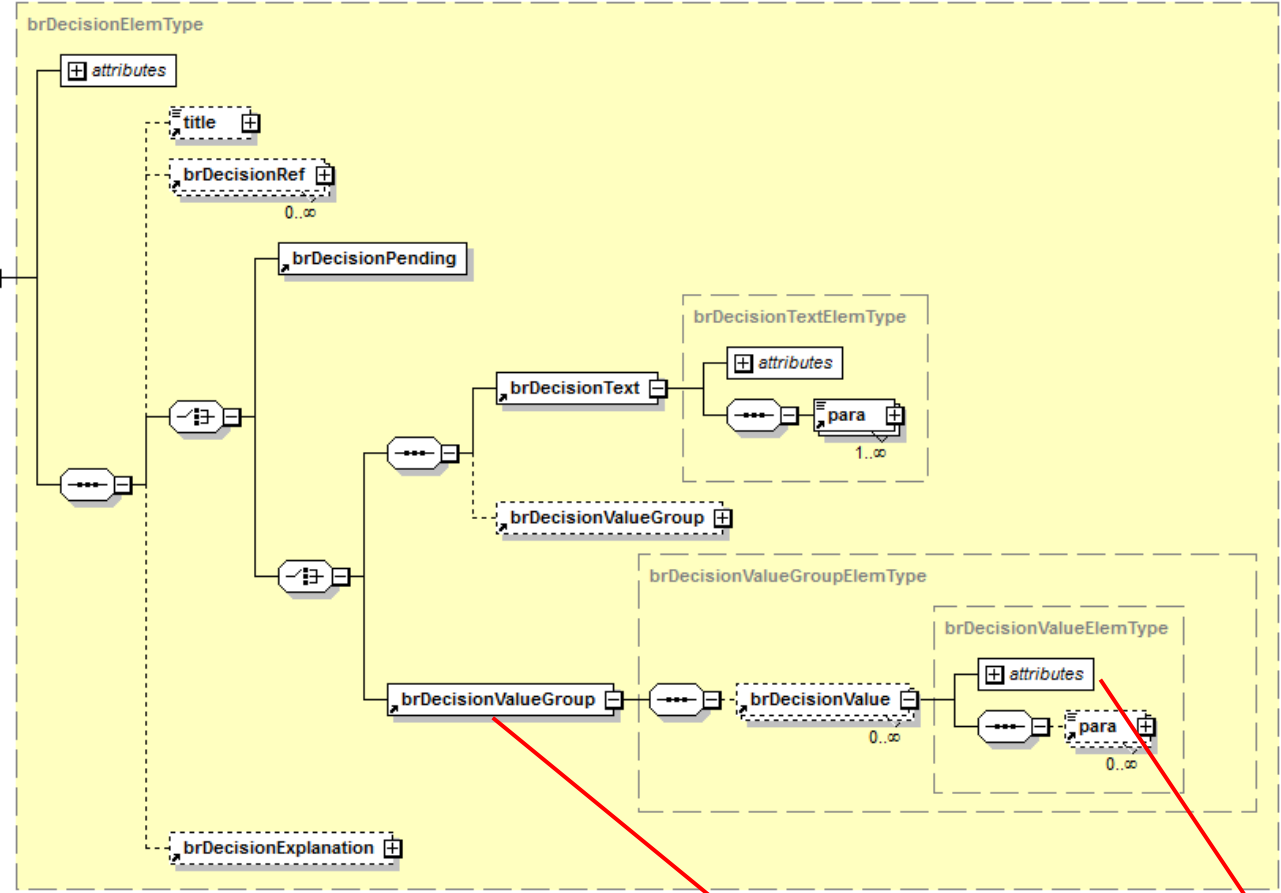


`<brLevelledPara>` is based on `<levelledPara>` from the Descriptive Schema

Decisions Captured



brDecision
New construct for the
brDoc Schema



brDecisionValues
What the BRDP is about

Relates the decision
to the BRDP

Common Information Repository

- 2009-063AA: Functional Item Identifier Extends the functional item type values to other types and allows a project to define its own values
- 2010-012SE: Add <name> & <shortName> in <zoneSpec> Adds @attribute nextHigherAssembly to clearly and uniquely identify that assembly
- 2010-019S1: Add <businessUnit> to <enterpriseRef> Adds two new fields to store properties related to Field Loadable Software (FLS) or Aircraft Control Software (ACS)
- 2012-015AA: CIR FIN - FLS Properties Indicates the grounding type or bonding segregation, which is necessary to perform ground tests after installation
- 2012-016AA: CIR FIN - Grounding Type Indicates how a part can be procured
- 2012-024AA: Specific Sourcing Information Codes for Warnings & Cautions CIRs
- 2012-031US: W-C CIR DMC Added Change Authority Data
- 2013-037AA: Wire Installation Traceability

Graphics

- 2007-085EPWG: Use of dynamic and authoritative 3D data in S1000D (Chap 3.9.2.5)
- 2009-030EPWG: Multimedia Guidance Error - Hotspot/Parameter
- 2009-031EPWG: The Use of Color in 3D objects (Chap 3.9.2.5)
- 2009-032EPWG: Update Chapter 3.9.2.4
- 2013-024NN: Illustration observations
- 2013-031AA: Illustration style guide missing
- 2013-032AA: Illustration style options to improve graphical exchange & re-use
- 2013-033AA: Inconsistencies in graphics style
- 2013-034AA: Illustration style enhancements
- 2013-035AA: Support for legacy illustrations
- 2013-036AA: Use of Color Definitions
- 2013-053LSHTT: Support metadata information related to multimedia resources in S1000D
- 2015-003NN: Presentation of ICN

Disallowed it's use in this way

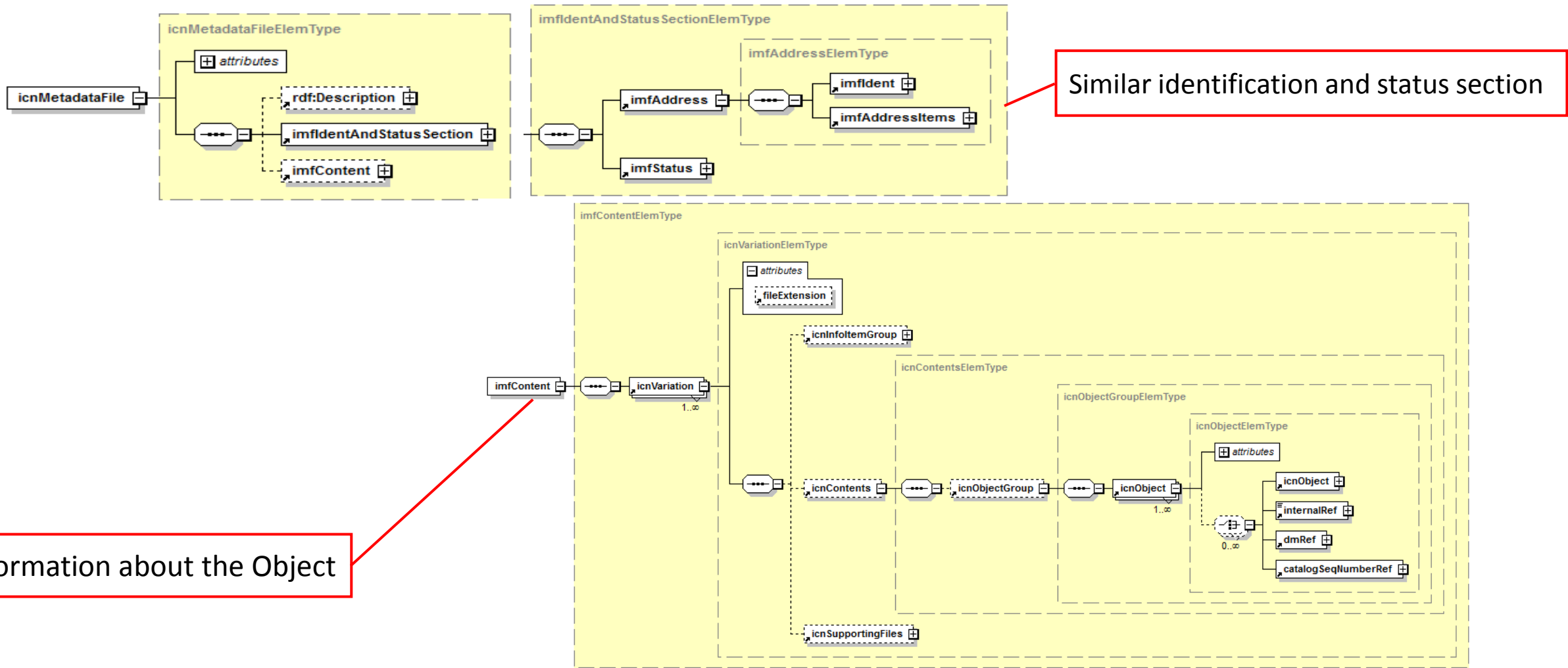
Brought the rules and guidance up to date

New Schema

ICN Object Metadata & Supporting Files

- CPF 2013-053LSHTT: Support metadata information related to multimedia resources in S1000D
- Multimedia Metadata Support
 - Necessary to improve services on multimedia content
 - Provides proper management of illustrations and multimedia objects in the CSDB
 - Enables storage and exchange of metadata information about an ICN object in an ICN metadata file
- The ICN metadata file contains metadata related to an ICN object (illustration or multimedia object)

Metadata about the Information Object

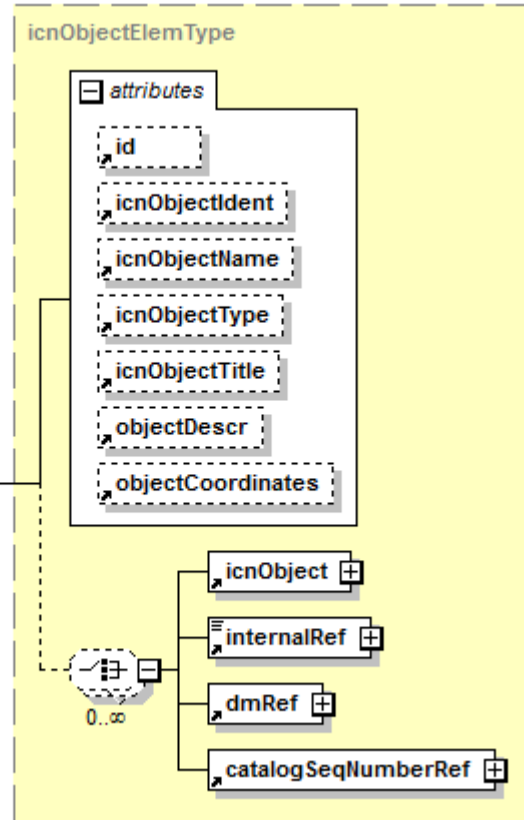


Similar identification and status section

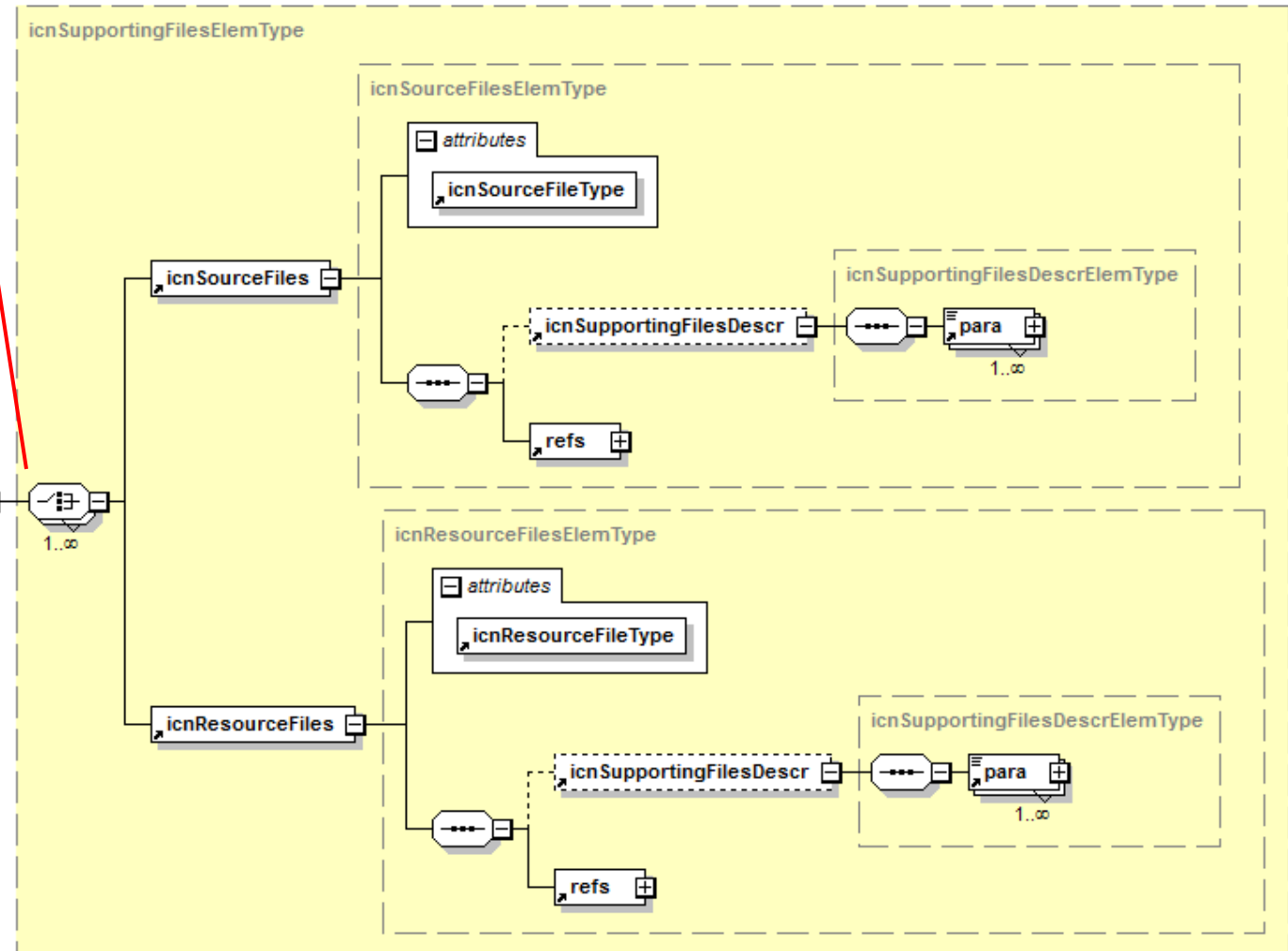
Information about the Object

Object and its Supporting Files Metadata

The Object's Supporting Files Information



Detailed Object Information



Illustrated Parts Data

- 2009-148GIPDTT:GIPDTT recommendations for part data in IPD

Harmonized with CIR
Corrected an error in <partSegment>
Moved the NSN from <ItemSequenceNumber> to <partSegment>
Changes to IPD Schema

- 2013-038AA: Original Part Number

Used when a prime's part number is applied to an item that has an original supplier's part number

- 2013-044AA: IPD - Operation restriction messages

Example of operation restriction message:

NOT APPROVED FOR OMTS SYSTEM

OMTS - On-board Mobile Telephony System

Layout Chapters

- 2012-035CMPTT: Text for Chap 6.2.3.6 — Layout rules and examples - Component maintenance data modules
- 2013-014NN: Update Chap 6.2.3.5 — Layout rules and examples - IPD publication
- 2013-017NN: Update Chap 6.2.3.3 — Layout rules and examples - Procedural data modules
- 2013-029CMPTT: Minor changes to CMP structure

Layout examples added to tie in with markup examples in the chapters and bike samples
Examples of the rules for applicability layout added

Publication Module Schema Change

Learning

- 2013-047LSHTT: Support for SCORM runtime files in S1000D

Allow:	
Compressed file	ZIP
Java script	JS
Cascading Style Sheet	CSS
Movie Authoring File	FLA

- 2013-052LSHTT: Learning chapter text deficiencies

Some of the wording was considered to be:

Partly wrong
Misleading
Partly insufficient
Unclear

Maintenance Task Data

- 2009-160MTD TT: Explanation of MAC in the info set

MAC – Maintenance Allocation Chart
Added DMC rules
- 2009-161MTD TT: Explanation of the top level preliminary requirements in the schedules schema

Preliminary Requirements Roll-Up for
Inspections
- 2009-077MTD TT: Introduce @applicRefId on inspectionDefinition and threshold

Maintenance Task Data

- 2009-078MTD TT:

Sampling attributes

Added attributes:
samplingValue (O), the number of Product instances
samplingUnit (O), the Product instance name
samplingRatio (O), the percentage of Product instances to be sampled

- 2009-087MTD TT:

Amend @reqcondCategory value

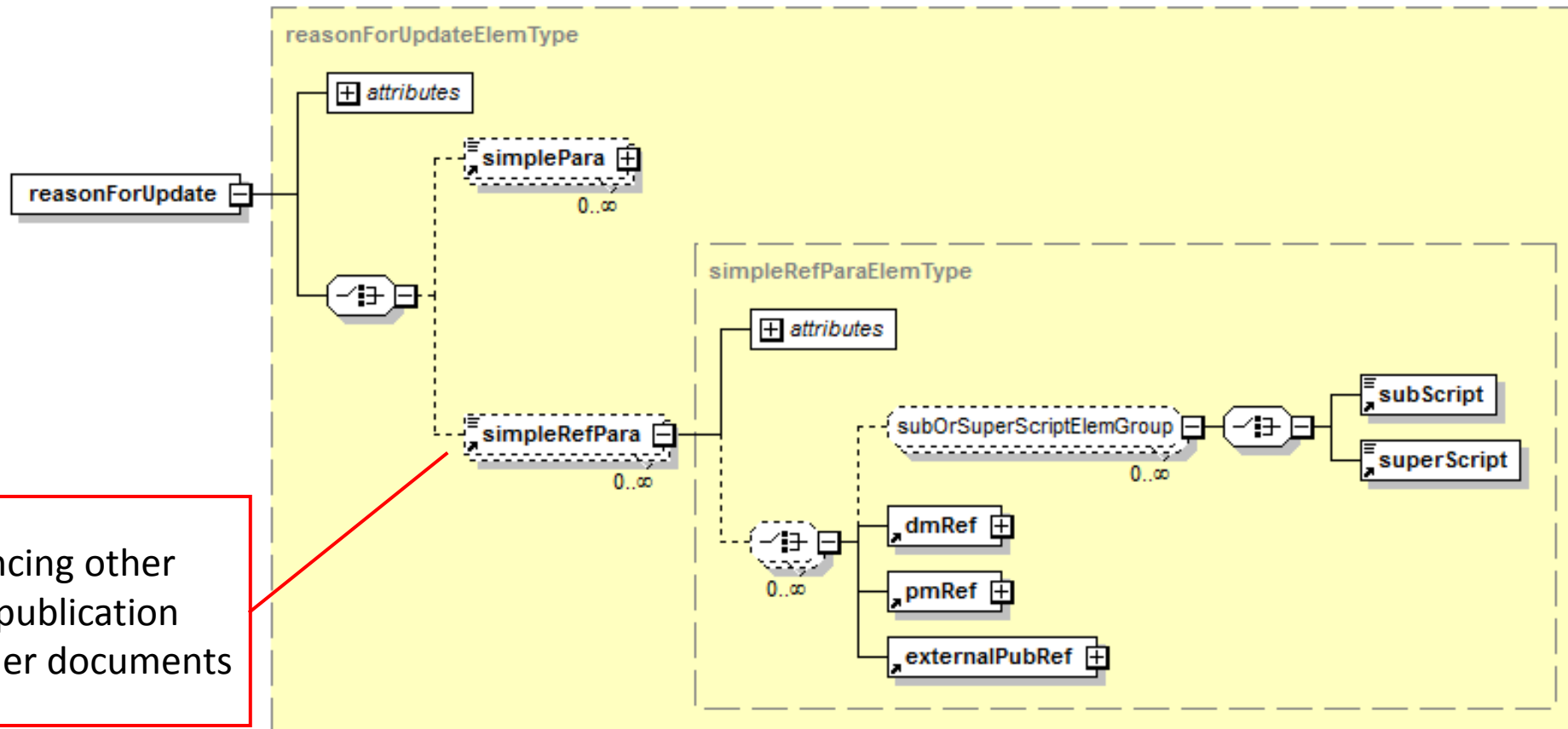
Added fixed values to the attribute reqCondCategory to provide computable values for:
jacked, electrical power, pneumatic power and hydraulic power required conditions.

Maintenance Task Data

- 2010-010SE: Classify support equipment
“tool” became “support equipment”
- 2011-031AA: Addition of Special Detailed Inspection to Task Code
- 2013-056NN: Definition of "Resources needed"
Task resources listed in the correct place
- 2013-058NN: skillType vs personCategoryCode skillLevel vs <personSkill>
- 2014-003MTDTT: Provide a clear definition of @reducedMaint
Reduced Maintenance:
Used to indicate whether a task or step(s) that are not required to return the Product to a minimum mission capable operational condition can be omitted, deferred or reduced under certain circumstances (eg, when in deployed or extended operations).

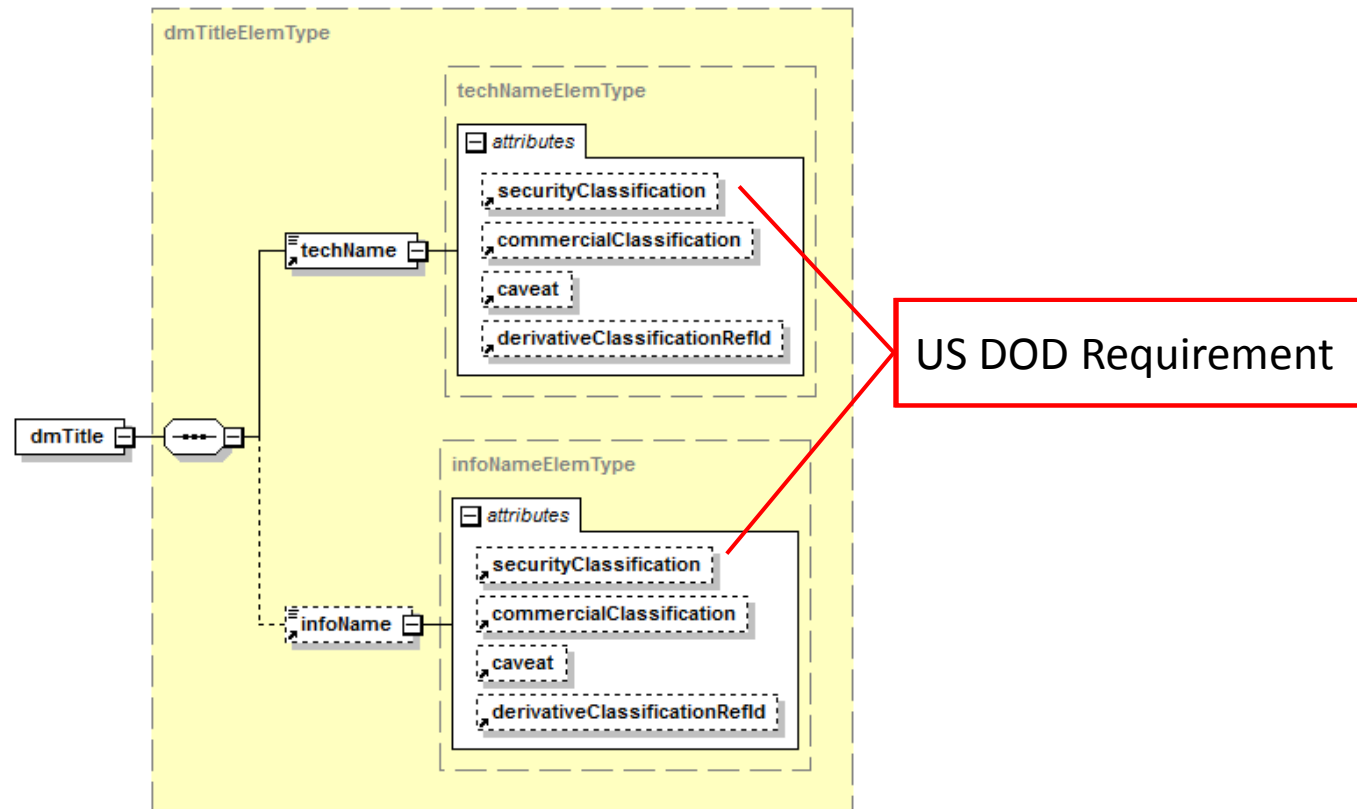
References

- 2013-026GB: Addition of References to Reason for Update



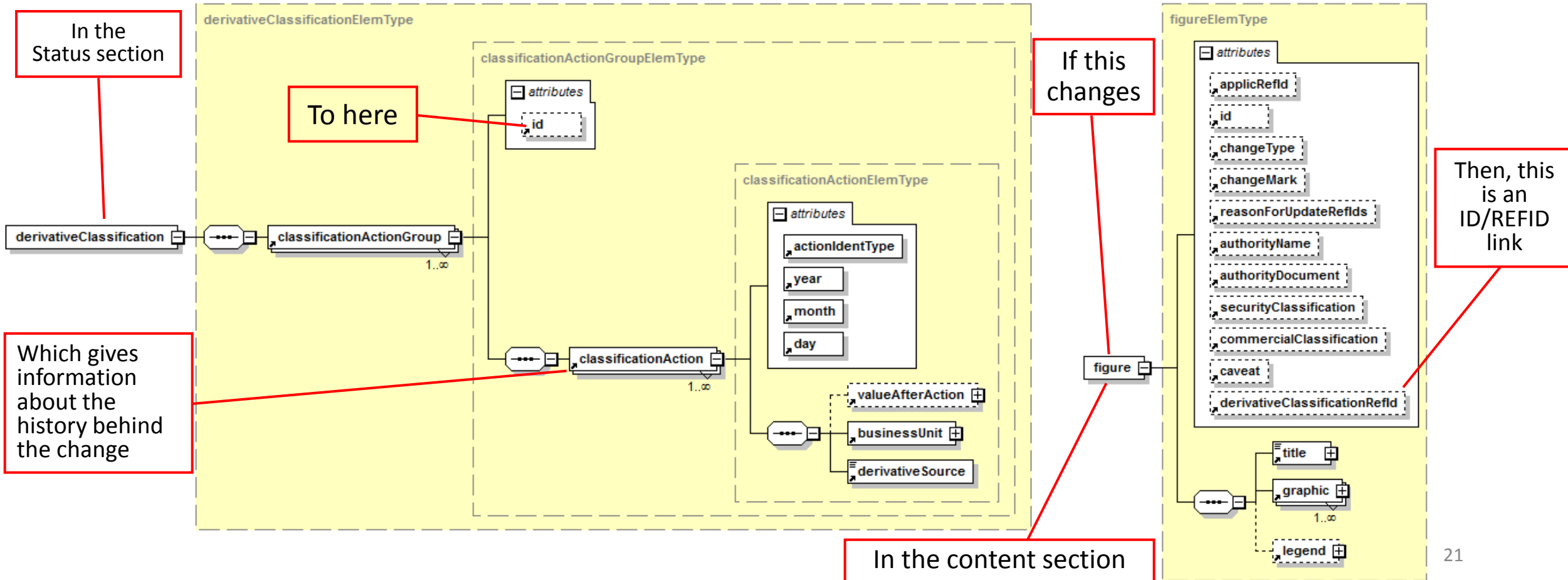
Security

- 2010-034US: Security classification on data module title



Security

- 2012-020US: Derivative classification information



Clean-up

- 2008-002AA: Incorrect Reference
- 2008-035US: Information attributes - editorial
- 2009-001AA: Possible Causes identification in Fault Isolation
- 2009-034EPWG: Key Product Attributes
- 2010-015PPWG: Eliminate the use of designation
- 2011-003S1: Confusing use of default attribute value
- 2012-023EPWG: Incorrect schema invocation directive
- 2012-033EPWG: Removal of valign default on table and caption entry
- 2013-004GB: Related Standards and Specifications
- 2013-010SBTT: Add information to Chap 6.2.3.7 (missing from Issue 4.1)
- 2013-012NN: Consistent use of (M)(C)(O) for elements and attributes

Clean-up

- 2013-013NN: Elimination of the acronyms DM and PM
- 2013-016NN: Consistent use of Enterprise - Manufacturer - Supplier - Vendor
- 2013-018NN: Schedule maintenance references
- 2013-019AA: Addition of A4A/ATA to Special Usage Rights
- 2013-023NN: Clarify use of genericPartData
- 2013-041AA: Revision marking consistency
- 2013-050EPWG: @itemCharacteristic value range
- 2013-057NN: Include DME and PME markup examples
- 2013-073US: Editorial corrections for Chap 6.2.2
- 2014-017NN: Correct the use of warning and cautions in common information
- 2016-010SE: Remove XLink attributes from markup examples



Miscellaneous

- Service Bulletin
 - 2013-042AA: Add id attribute to Service Bulletin material information sub-section
 - 2013-043AA: Add Service Bulletin metadata value for impact on Electrical Standard Network
- Standard Numbering System
 - 2009-169SX: New sea vehicle based SNS
 - 2010-024AA: Creation of sub-system 34-70 "Aircraft Surveillance System"
 - 2013-009PPWG: Correct an Information Code
 - 2013-040AA: Update of System 85 definition in Maintained SNS Air Vehicle

S1000D Issue 4.2 Summary Questions

These are not the answers you are looking for

